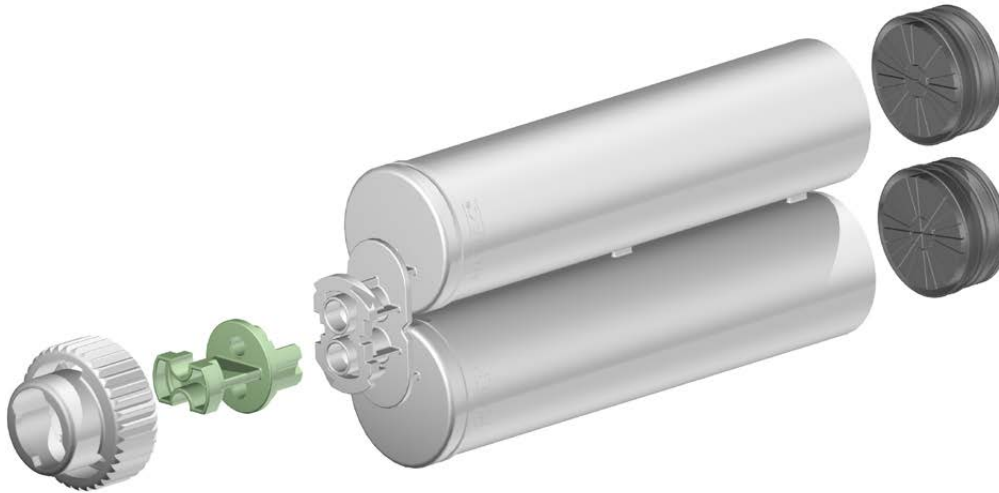


MIXPAC™ F-System 200 Industrial, Set

Cartridge Assembly 210ml / 1:1



Part number	Article	Description	Units / box
112390	AF 200-01-10-01	Set 200, 1:1, PP natural, self-venting lip seal pistons, preassembled nose plug	300
112391	AF 200-01-30-01	Set 200, 1:1, PA natural, self-venting lip seal pistons, preassembled nose plug	300

Headquarters

Sulzer Mixpac Ltd
 phone +41 81 772 20 00
 fax +41 81 772 20 01
 mixpac@sulzer.com
 www.sulzer.com

USA, South America, Canada and Mexico

Sulzer Mixpac USA Inc.
 phone +1 603 893 27 27
 fax +1 603 893 37 37
 mixpac@sulzer.com
 www.sulzer.com

Asia Pacific

Sulzer Mixpac China
 phone +86 21 6430 68 68
 fax +86 21 6430 66 88
 mixpac@sulzer.com
 www.sulzer.com

Denmark

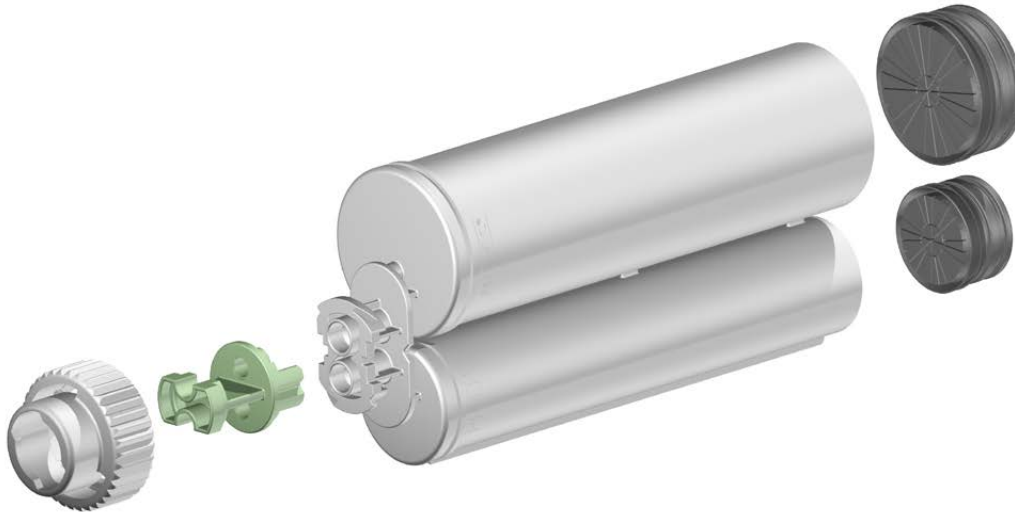
Sulzer Mixpac Denmark A/S
 phone +45 4360 0111
 fax +45 4369 0137
 mixpac@sulzer.com
 www.sulzer.com

UK and Ireland

Sulzer Mixpac UK
 phone +44 1536 31 29 90
 fax +44 1536 31 29 85
 mixpac@sulzer.com
 www.sulzer.com

MIXPAC™ F-System 200 Industrial, Set

Cartridge Assembly 215ml / 2:1



Part number	Article	Description	Units / box
112398	AF 200-02-10-01	Set 200, 2:1, PP natural, self-venting lip seal pistons, preassembled nose plug	280
112400	AF 200-02-30-01	Set 200, 2:1, PA natural, self-venting lip seal pistons, preassembled nose plug	280

Headquarters

Sulzer Mixpac Ltd
phone +41 81 772 20 00
fax +41 81 772 20 01
mixpac@sulzer.com
www.sulzer.com

USA, South America, Canada and Mexico

Sulzer Mixpac USA Inc.
phone +1 603 893 27 27
fax +1 603 893 37 37
mixpac@sulzer.com
www.sulzer.com

Asia Pacific

Sulzer Mixpac China
phone +86 21 6430 68 68
fax +86 21 6430 66 88
mixpac@sulzer.com
www.sulzer.com

Denmark

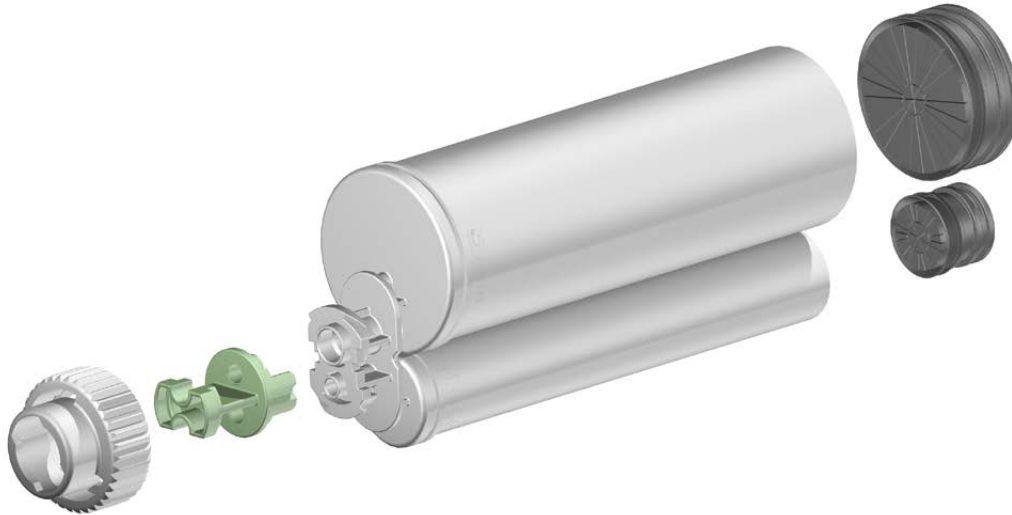
Sulzer Mixpac Denmark A/S
phone +45 4360 0111
fax +45 4369 0137
mixpac@sulzer.com
www.sulzer.com

UK and Ireland

Sulzer Mixpac UK
phone +44 1536 31 29 90
fax +44 1536 31 29 85
mixpac@sulzer.com
www.sulzer.com

MIXPAC™ F-System 200 Industrial, Set

Cartridge Assembly 225ml / 4:1



Part number	Article	Description	Units / box
112393	AF 200-04-10-01	Set 200, 4:1, PP natural, self-venting lip seal pistons, preassembled nose plug	265
116319	AF 200-04-20-01	Set 200, 4:1, PBT natural, self-venting lip seal pistons, preassembled nose plug	265

Headquarters

Sulzer Mixpac Ltd
 phone +41 81 772 20 00
 fax +41 81 772 20 01
 mixpac@sulzer.com
 www.sulzer.com

USA, South America, Canada and Mexico

Sulzer Mixpac USA Inc.
 phone +1 603 893 27 27
 fax +1 603 893 37 37
 mixpac@sulzer.com
 www.sulzer.com

Asia Pacific

Sulzer Mixpac China
 phone +86 21 6430 68 68
 fax +86 21 6430 66 88
 mixpac@sulzer.com
 www.sulzer.com

Denmark

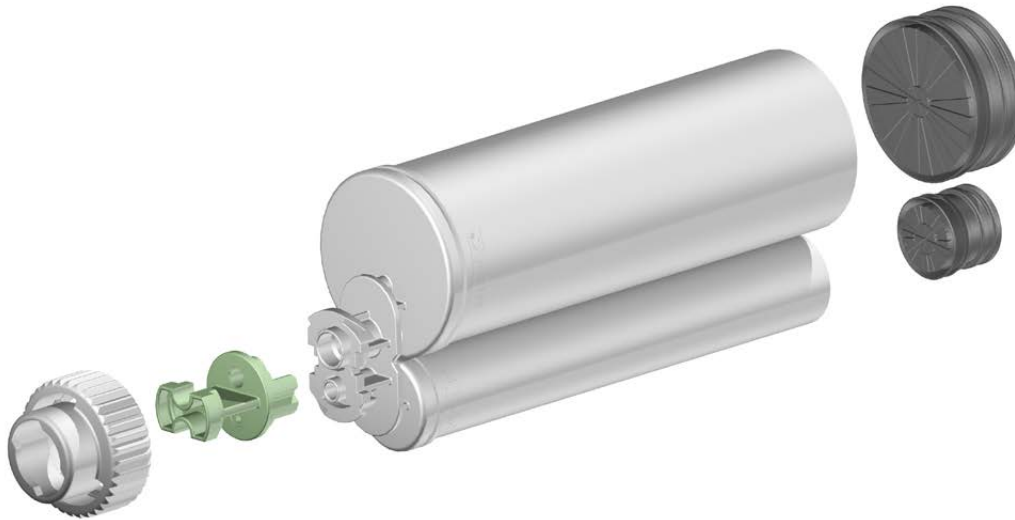
Sulzer Mixpac Denmark A/S
 phone +45 4360 0111
 fax +45 4369 0137
 mixpac@sulzer.com
 www.sulzer.com

UK and Ireland

Sulzer Mixpac UK
 phone +44 1536 31 29 90
 fax +44 1536 31 29 85
 mixpac@sulzer.com
 www.sulzer.com

MIXPAC™ F-System 200 Industrial, Set

Cartridge Assembly 250ml / 10:1



Part number	Article	Description	Units / box
112402	AF 200-10-10-01	Set 200, 10:1, PP natural, self-venting lip seal pistons, preassembled nose plug	250
116053	AF 200-10-20-01	Set 200, 10:1, PBT natural, self-venting lip seal pistons, preassembled nose plug	250

Headquarters

Sulzer Mixpac Ltd
 phone +41 81 772 20 00
 fax +41 81 772 20 01
 mixpac@sulzer.com
 www.sulzer.com

USA, South America, Canada and Mexico

Sulzer Mixpac USA Inc.
 phone +1 603 893 27 27
 fax +1 603 893 37 37
 mixpac@sulzer.com
 www.sulzer.com

Asia Pacific

Sulzer Mixpac China
 phone +86 21 6430 68 68
 fax +86 21 6430 66 88
 mixpac@sulzer.com
 www.sulzer.com

Denmark

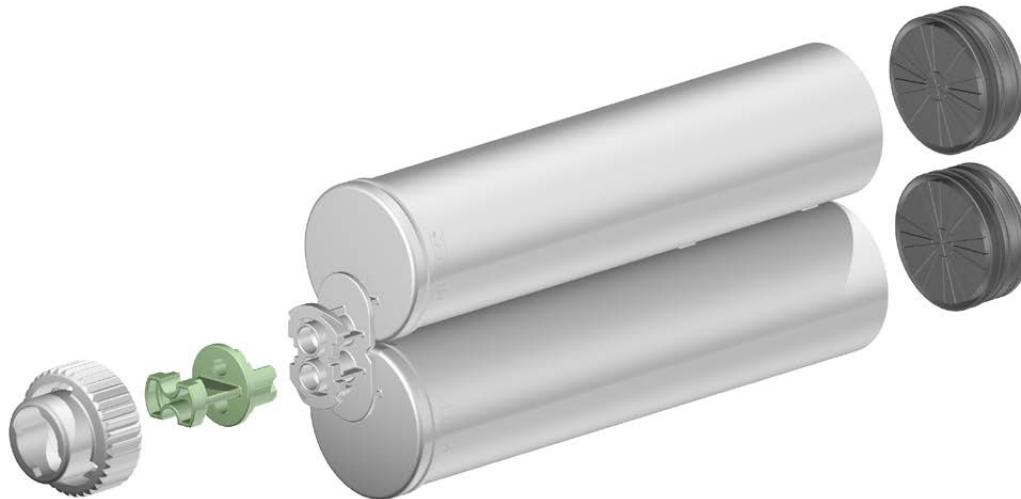
Sulzer Mixpac Denmark A/S
 phone +45 4360 0111
 fax +45 4369 0137
 mixpac@sulzer.com
 www.sulzer.com

UK and Ireland

Sulzer Mixpac UK
 phone +44 1536 31 29 90
 fax +44 1536 31 29 85
 mixpac@sulzer.com
 www.sulzer.com

MIXPAC™ F-System 400 Industrial, Set

Cartridge Assembly 395ml / 1:1



Part number	Article	Description	Units / box
112410	AF 400-01-10-01	Set 400, 1:1, PP natural, self-venting lip seal pistons, preassembled nose plug	180
128011	AF 400-01-20-05	Set 400, 1:1, PBT natural, self-venting lip seal pistons, preassembled long nose plug	180

Headquarters

Sulzer Mixpac Ltd
 phone +41 81 772 20 00
 fax +41 81 772 20 01
 mixpac@sulzer.com
 www.sulzer.com

USA, South America, Canada and Mexico

Sulzer Mixpac USA Inc.
 phone +1 603 893 27 27
 fax +1 603 893 37 37
 mixpac@sulzer.com
 www.sulzer.com

Asia Pacific

Sulzer Mixpac China
 phone +86 21 6430 68 68
 fax +86 21 6430 66 88
 mixpac@sulzer.com
 www.sulzer.com

Denmark

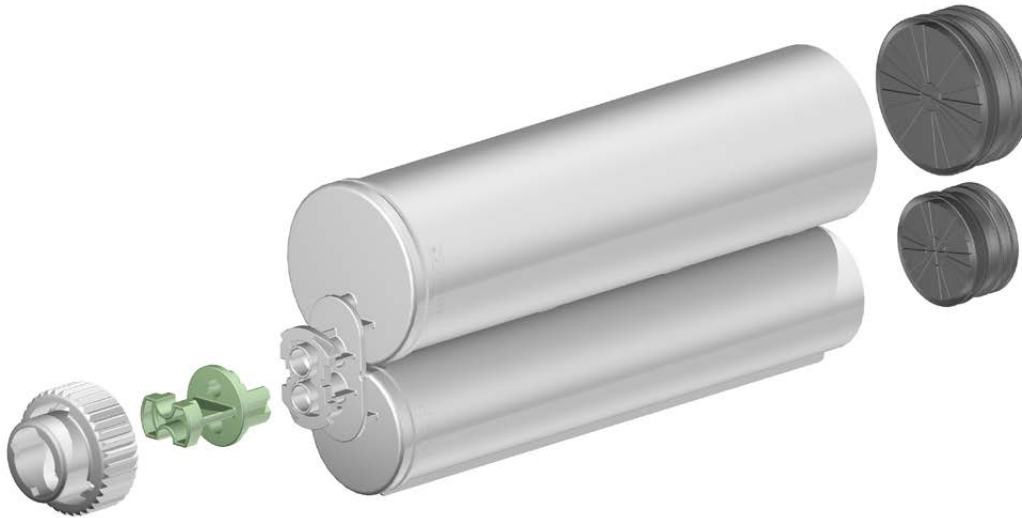
Sulzer Mixpac Denmark A/S
 phone +45 4360 0111
 fax +45 4369 0137
 mixpac@sulzer.com
 www.sulzer.com

UK and Ireland

Sulzer Mixpac UK
 phone +44 1536 31 29 90
 fax +44 1536 31 29 85
 mixpac@sulzer.com
 www.sulzer.com

MIXPAC™ F-System 400 Industrial, Set

Cartridge Assembly 400ml / 2:1



Part number	Article	Description	Units / box
112407	AF 400-02-10-01	Set 400, 2:1, PP natural, self-venting lip seal pistons, preassembled nose plug	175
112408	AF 400-02-30-01	Set 400, 2:1, PA natural, self-venting lip seal pistons, piston plugs separate, preassembled nose plug	175

Headquarters

Sulzer Mixpac Ltd
 phone +41 81 772 20 00
 fax +41 81 772 20 01
 mixpac@sulzer.com
 www.sulzer.com

USA, South America, Canada and Mexico

Sulzer Mixpac USA Inc.
 phone +1 603 893 27 27
 fax +1 603 893 37 37
 mixpac@sulzer.com
 www.sulzer.com

Asia Pacific

Sulzer Mixpac China
 phone +86 21 6430 68 68
 fax +86 21 6430 66 88
 mixpac@sulzer.com
 www.sulzer.com

Denmark

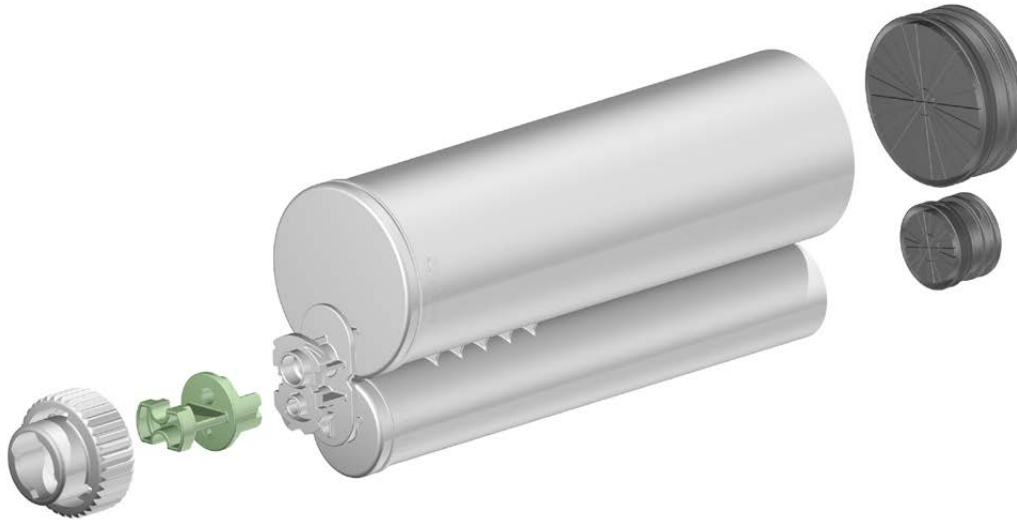
Sulzer Mixpac Denmark A/S
 phone +45 4360 0111
 fax +45 4369 0137
 mixpac@sulzer.com
 www.sulzer.com

UK and Ireland

Sulzer Mixpac UK
 phone +44 1536 31 29 90
 fax +44 1536 31 29 85
 mixpac@sulzer.com
 www.sulzer.com

MIXPAC™ F-System 400 Industrial, Set

Cartridge Assembly 415ml / 4:1



Part number	Article	Description	Units / box
112397	AF 400-04-10-01	Set 400, 4:1, PP natural, self-venting lip seal pistons, preassembled nose plug	170
116140	AF 400-04-20-01	Set 400, 4:1, PBT natural, self-venting lip seal pistons, preassembled nose plug	170

Headquarters

Sulzer Mixpac Ltd
 phone +41 81 772 20 00
 fax +41 81 772 20 01
 mixpac@sulzer.com
 www.sulzer.com

USA, South America, Canada and Mexico

Sulzer Mixpac USA Inc.
 phone +1 603 893 27 27
 fax +1 603 893 37 37
 mixpac@sulzer.com
 www.sulzer.com

Asia Pacific

Sulzer Mixpac China
 phone +86 21 6430 68 68
 fax +86 21 6430 66 88
 mixpac@sulzer.com
 www.sulzer.com

Denmark

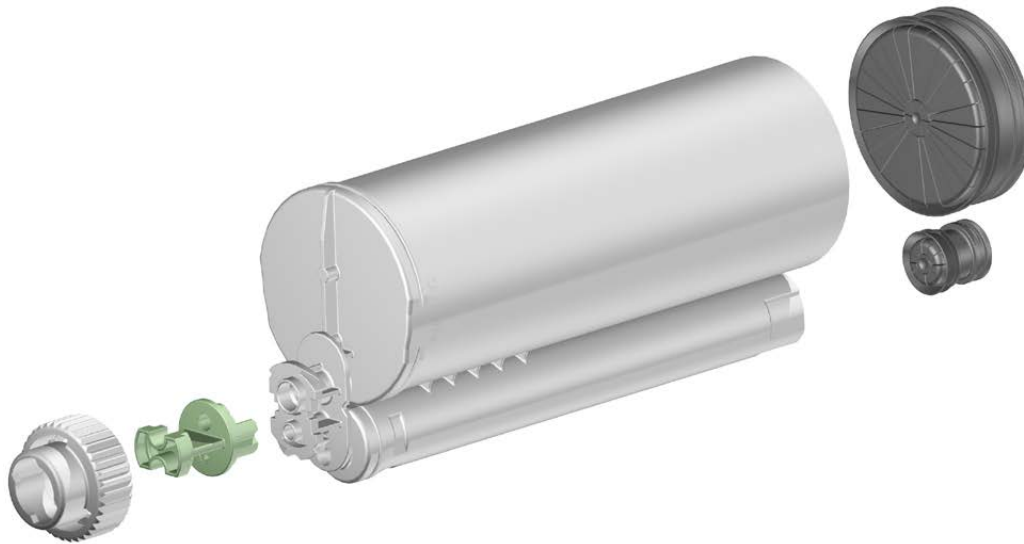
Sulzer Mixpac Denmark A/S
 phone +45 4360 0111
 fax +45 4369 0137
 mixpac@sulzer.com
 www.sulzer.com

UK and Ireland

Sulzer Mixpac UK
 phone +44 1536 31 29 90
 fax +44 1536 31 29 85
 mixpac@sulzer.com
 www.sulzer.com

MIXPAC™ F-System 400 Industrial, Set

Cartridge Assembly 490ml / 10:1



Part number	Article	Description	Units/box
113745	AF 400-10-10-01	Set 400, 10:1, PP natural, self-venting lip seal pistons, preassembled nose plug	165
116089	AF 400-10-20-01	Set 400, 10:1, PBT natural, self-venting lip seal pistons, preassembled nose plug	165

Headquarters

Sulzer Mixpac Ltd
phone +41 81 772 20 00
fax +41 81 772 20 01
mixpac@sulzer.com
www.sulzer.com

USA, South America, Canada and Mexico

Sulzer Mixpac USA Inc.
phone +1 603 893 27 27
fax +1 603 893 37 37
mixpac@sulzer.com
www.sulzer.com

Asia Pacific

Sulzer Mixpac China
phone +86 21 6430 68 68
fax +86 21 6430 66 88
mixpac@sulzer.com
www.sulzer.com

Denmark

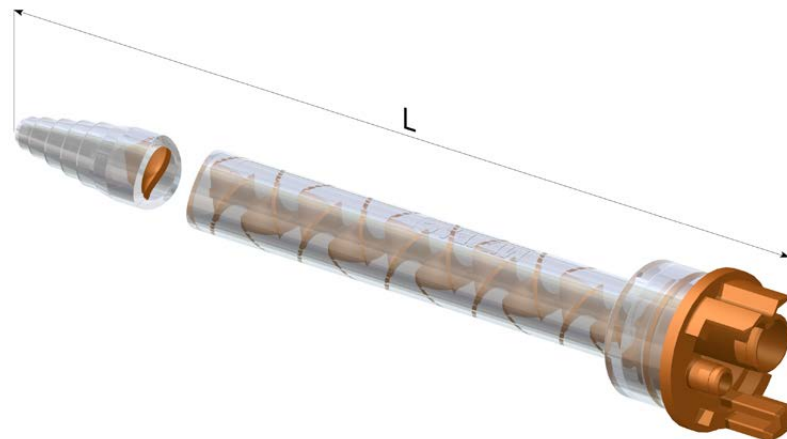
Sulzer Mixpac Denmark A/S
phone +45 4360 0111
fax +45 4369 0137
mixpac@sulzer.com
www.sulzer.com

UK and Ireland

Sulzer Mixpac UK
phone +44 1536 31 29 90
fax +44 1536 31 29 85
mixpac@sulzer.com
www.sulzer.com

MIXPAC™ F-System 200 / 400 Industrial

Mixer Helix for System F 200 / 400, 4:1/10:1



Part number	Article	Description	Elements	Ø (mm)	L (mm)	Vol. (ml)	Units / box
102473	MFHX 06-18T	Mixer helix, 4:1/10:1 orange elements, stepped tip	18	6.0	156	4.16	1'700
102474	MFHX 06-24T	Mixer helix, 4:1/10:1 orange elements, stepped tip	24	6.0	194	5.20	1'400
113275	MFHX 06-32T	Mixer helix, 4:1/10:1 orange elements, stepped tip	32	6.0	245	6.56	1'200
102475	MFHX 08-18T	Mixer helix, 4:1/10:1 orange elements, stepped tip	18	8.0	187	7.28	1'400
102476	MFHX 08-24T	Mixer helix, 4:1/10:1 orange elements, stepped tip	24	8.0	234	9.14	1'200
112720	MFHX 08-32T	Mixer helix, 4:1/10:1 orange elements, stepped tip	32	8.0	296	11.55	900
102477	MFHX 10-18T	Mixer helix, 4:1/10:1 orange elements, stepped tip	18	10.0	224	12.96	1'000
102478	MFHX 10-24T	Mixer helix, 4:1/10:1 orange elements, stepped tip	24	10.0	283	16.70	900
113250	MFHX 10-32T	Mixer helix, 4:1/10:1 orange elements, stepped tip	32	10.0	363	21.22	500
151605	MFHX 13-18T	Mixer helix, 4:1/10:1 orange elements, stepped tip	18	13.0	235	20.73	800
151606	MFHX 13-24T	Mixer helix, 4:1/10:1 orange elements, stepped tip	24	13.0	296	26.48	600

Headquarters

Sulzer Mixpac Ltd
phone +41 81 772 20 00
fax +41 81 772 20 01
mixpac@sulzer.com
www.sulzer.com

USA, South America, Canada and Mexico

Sulzer Mixpac USA Inc.
phone +1 603 893 27 27
fax +1 603 893 37 37
mixpac@sulzer.com
www.sulzer.com

Asia Pacific

Sulzer Mixpac China
phone +86 21 6430 68 68
fax +86 21 6430 66 88
mixpac@sulzer.com
www.sulzer.com

Denmark

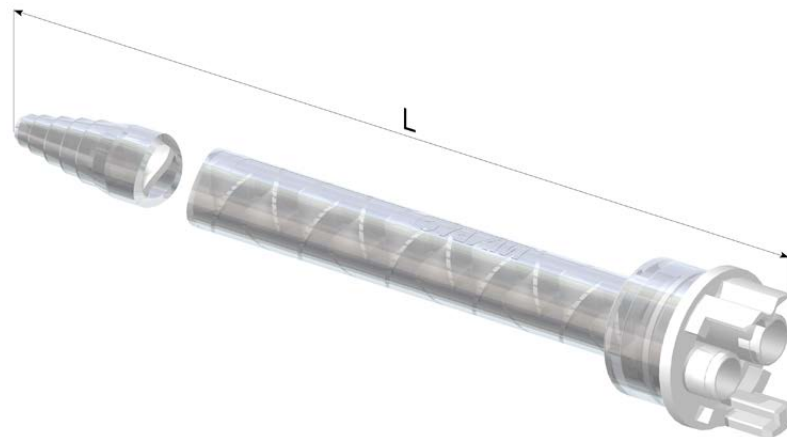
Sulzer Mixpac Denmark A/S
phone +45 4360 0111
fax +45 4369 0137
mixpac@sulzer.com
www.sulzer.com

UK and Ireland

Sulzer Mixpac UK
phone +44 1536 31 29 90
fax +44 1536 31 29 85
mixpac@sulzer.com
www.sulzer.com

MIXPAC™ F-System 200 / 400 Industrial

Mixer Helix for System F 200 / 400, 1:1/2:1



Part number	Article	Description	Elements	Ø (mm)	L (mm)	Vol. (ml)	Units / box
102466	MFH 06-18T	Mixer helix, 1:1/2:1 white elements, stepped tip	18	6.0	156	4.36	1'700
102467	MFH 06-24T	Mixer helix, 1:1/2:1 white elements, stepped tip	24	6.0	194	5.40	1'400
116040	MFH 06-32T	Mixer helix, 1:1/2:1 white elements, stepped tip	32	6.0	245	6.65	700
102468	MFH 08-18T	Mixer helix, 1:1/2:1 white elements, stepped tip	18	8.0	187	7.40	1'400
102469	MFH 08-24T	Mixer helix, 1:1/2:1 white elements, stepped tip	24	8.0	234	9.30	1'200
102470	MFH 08-32T	Mixer helix, 1:1/2:1 white elements, stepped tip	32	8.0	297	11.85	900
102471	MFH 10-18T	Mixer helix, 1:1/2:1 white elements, stepped tip	18	10.0	224	13.09	1'000
102472	MFH 10-24T	Mixer helix, 1:1/2:1 white elements, stepped tip	24	10.0	283	16.89	900
110583	MFH 10-32T	Mixer helix, 1:1/2:1 white elements, stepped tip	32	10.0	362	21.94	500
151603	MFH 13-18T	Mixer helix, 1:1/2:1 white elements, stepped tip	18	13.0	235	20.56	800
151604	MFH 13-24T	Mixer helix, 1:1/2:1 white elements, stepped tip	24	13.0	296	26.31	600

Headquarters

Sulzer Mixpac Ltd
 phone +41 81 772 20 00
 fax +41 81 772 20 01
 mixpac@sulzer.com
 www.sulzer.com

USA, South America, Canada and Mexico

Sulzer Mixpac USA Inc.
 phone +1 603 893 27 27
 fax +1 603 893 37 37
 mixpac@sulzer.com
 www.sulzer.com

Asia Pacific

Sulzer Mixpac China
 phone +86 21 6430 68 68
 fax +86 21 6430 66 88
 mixpac@sulzer.com
 www.sulzer.com

Denmark

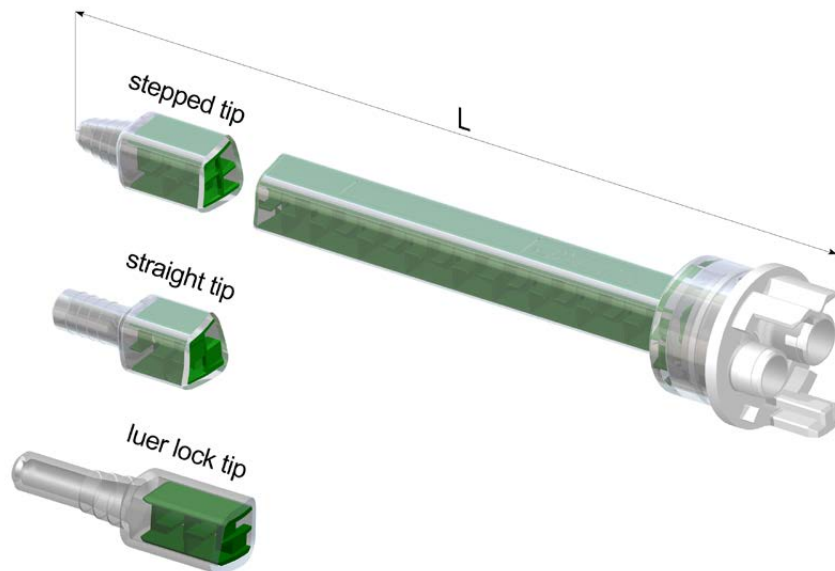
Sulzer Mixpac Denmark A/S
 phone +45 4360 0111
 fax +45 4369 0137
 mixpac@sulzer.com
 www.sulzer.com

UK and Ireland

Sulzer Mixpac UK
 phone +44 1536 31 29 90
 fax +44 1536 31 29 85
 mixpac@sulzer.com
 www.sulzer.com

MIXPAC™ F-System 200 / 400 Industrial

Mixer Quadro Technology for System F 200 / 400, 1:1/2:1



Part number	Article	Description	Elements	∅ (mm)	L (mm)	Vol. (ml)	Units / box
116032	MFQ 05-16L	Mixer quadro technology, 1:1/2:1 green elements, white interface, luer lock tip	16	5.3	100	2.9	2'500
116033	MFQ 05-24L	Mixer quadro technology, 1:1/2:1 green elements, white interface, luer lock tip	24	5.3	132	3.52	2'000
116034	MFQ 07-24T	Mixer quadro technology, 1:1/2:1 green elements, white interface, stepped tip	24	7.5	137	6.11	1'500
115959	MFQ 08-24T	Mixer quadro technology, 1:1/2:1 green elements, white interface, stepped tip	24	8.7	155	8.69	750
116035	MFQ 10-24T	Mixer quadro technology, 1:1/2:1 green elements, white interface, stepped tip	24	10.7	181	14.75	600
116734	MFQ 08-32D	Mixer quadro technology, 1:1/2:1 green elements, white interface, straight tip	32	8.7	198	11.1	800

Headquarters

Sulzer Mixpac Ltd
phone +41 81 772 20 00
fax +41 81 772 20 01
mixpac@sulzer.com
www.sulzer.com

USA, South America, Canada and Mexico

Sulzer Mixpac USA Inc.
phone +1 603 893 27 27
fax +1 603 893 37 37
mixpac@sulzer.com
www.sulzer.com

Asia Pacific

Sulzer Mixpac China
phone +86 21 6430 68 68
fax +86 21 6430 66 88
mixpac@sulzer.com
www.sulzer.com

Denmark

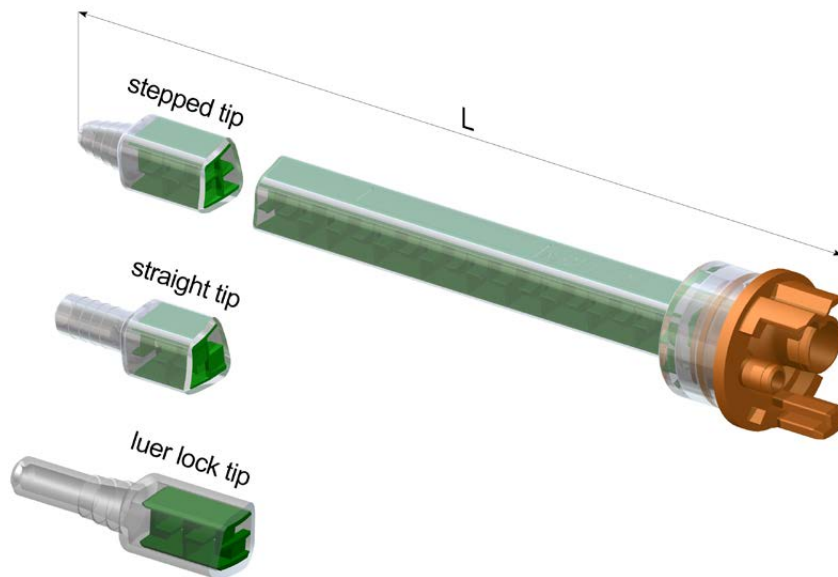
Sulzer Mixpac Denmark A/S
phone +45 4360 0111
fax +45 4369 0137
mixpac@sulzer.com
www.sulzer.com

UK and Ireland

Sulzer Mixpac UK
phone +44 1536 31 29 90
fax +44 1536 31 29 85
mixpac@sulzer.com
www.sulzer.com

MIXPAC™ F-System 200 / 400 Industrial

Mixer Quadro Technology for System F 200 / 400, 4:1/10:1



Part number	Article	Description	Elements	∅ (mm)	L (mm)	Vol. (ml)	Units / box
116036	MFQX 05-16L	Mixer quadro technology, 4:1/10:1, green elements, orange interface, luer lock tip	16	5.3	101	3.07	2'500
116037	MFQX 05-24L	Mixer quadro technology, 4:1/10:1, green elements, orange interface, luer lock tip	24	5.3	132	3.69	2'000
116038	MFQX 07-24T	Mixer quadro technology, 4:1/10:1, green elements, orange interface, stepped tip	24	7.5	137	6.28	1'500
116039	MFQX 08-24T	Mixer quadro technology, 4:1/10:1, green elements, orange interface, stepped tip	24	8.7	155	8.86	750
116044	MFQX 10-24T	Mixer quadro technology 4:1/10:1, green elements, orange interface, stepped tip	24	10.7	181	14.92	600
116735	MFQX 08-32D	Mixer quadro technology, 4:1/10:1 green elements, orange interface, straight tip	32	8.7	198	11.1	800

Headquarters

Sulzer Mixpac Ltd
phone +41 81 772 20 00
fax +41 81 772 20 01
mixpac@sulzer.com
www.sulzer.com

USA, South America, Canada and Mexico

Sulzer Mixpac USA Inc.
phone +1 603 893 27 27
fax +1 603 893 37 37
mixpac@sulzer.com
www.sulzer.com

Asia Pacific

Sulzer Mixpac China
phone +86 21 6430 68 68
fax +86 21 6430 66 88
mixpac@sulzer.com
www.sulzer.com

Denmark

Sulzer Mixpac Denmark A/S
phone +45 4360 0111
fax +45 4369 0137
mixpac@sulzer.com
www.sulzer.com

UK and Ireland

Sulzer Mixpac UK
phone +44 1536 31 29 90
fax +44 1536 31 29 85
mixpac@sulzer.com
www.sulzer.com